



Operator's Manual for P7 Pistols

P7M8 & P7M13 9mm x 19

P7M10 Caliber .40 S&W



Weapon Type _____ Serial Number _____

SAFETY RULES

Please read this before handling your firearm

The following safety rules are placed in this manual by Heckler & Koch, GmbH., as an important reminder that firearms safety is your responsibility. Firearms can be dangerous and can potentially cause serious injury, damage to property or death, if handled improperly.

1. Never point a firearm at anyone, or in any direction other than a SAFE direction, i.e., downrange.
2. Always treat all firearms as if they were loaded.
3. Keep your finger off the trigger until your sights are on the target.
4. Keep your finger off the trigger while loading or unloading the pistol.
5. Keep your finger off the trigger while pulling pistol out of the holster or holstering.
6. Be sure of your target and the back stop beyond.
7. Never give to or take a firearm from anyone unless the action is open.
8. Be sure that the ammunition you are using is factory loaded and is not damaged in any way.
9. Before firing, remove the magazine from the weapon, lock the slide to the rear and check the barrel of your unloaded firearm for any possible obstructions.
10. Before firing any firearm unfamiliar to you, make sure that you understand how it functions. Unfamiliarity can cause serious accidents. Attend a certified training course on any firearm which you intend to use or with which you are not sufficiently familiar.
11. Wear hearing protection and eye protection when shooting your firearm.
12. Keep your hands and fingers away from the muzzle to avoid injury or burns.
13. Be sure that no part of either hand touches or interferes with the slide. The slide is moved backwards by the recoil force and may cause serious injury.
14. Firearms and ammunition should be stored separately beyond the reach of children.
15. Avoid the use of alcoholic beverages before and during any shooting.

REMEMBER: A FIREARM HAS THE CAPABILITY OF TAKING YOUR LIFE OR THE LIFE OF SOMEONE ELSE! BE CAREFUL WITH YOUR FIREARM — AN ACCIDENT IS ALMOST ALWAYS THE RESULT OF NOT FOLLOWING BASIC SAFETY RULES.

Operator's Manual for P7 Pistols

P7M8 & P7M13 9mm x 19
P7M10 Caliber .40 S&W



The HK P7M8/P7M13/P7M10 comply with requirements
of NIJ-Standard-0112.00.

This manual applies to pistol types P7M8, P7M13, and P7M10.

The handling and operation of the three pistols is identical.

The illustrations show the P7M13.

Contents

Section I	Introduction	3
Section II	Function & Operation of the Weapon	4
Section III	Ammunition	9
Section IV	Loading & Handling	10
Section V	Field Stripping of the P7M8, P7M13, & P7M10 for Cleaning & Reassembly	12
Section VI	Cleaning and Maintenance	17
Section VII	Specifications and Exploded Views	22
Weapon Service Record		28

SECTION I

Introduction

HK P7 pistols can be drawn, cocked, and fired accurately faster than any other pistol. The unique HK design allows the P7 to be carried safely with a round in the chamber and the pistol completely uncocked. Cocking is accomplished quickly, without changing the firing grip, by depressing the cocking lever located on the front of the grip. As long as this lever is held fully depressed, the P7 fires and recocks like a conventional single action pistol. Releasing the cocking lever decocks the P7 immediately and renders it completely safe.

P7 pistols have a constant, uniform trigger pull for all rounds fired. There is no heavy first-shot trigger pull like that found on a conventional double-action pistol. There is no change in trigger pull between critical first and second shots. A simple three-dot sighting system makes aiming almost instinctive. And all P7 pistols are completely ambidextrous.

To ensure accuracy, P7 pistols use a fixed, polygonal barrel made by cold hammer forging. Polygonal rifling seals propellant gases behind the bullet and increases barrel life. With its fluted chamber, the P7 will extract and eject an empty shell even if the extractor is missing. The extractor, which doubles as a loaded chamber indicator, only aids in making extraction smooth and uniform.

The P7 gas system retards the movement of the recoiling slide during firing and eliminates the need for a conventional locking mechanism or heavy slide. Combined with the optimal grip angle of 110°, the result is an accurate, low recoil pistol suited to the operational requirements of law enforcement users.

Using the potent .40 Smith & Wesson cartridge, the P7M10 was developed especially for law enforcement and civilian shooters searching for an effective combat handgun that fires a more powerful ammunition. Identical to P7 9mm pistols in operation, the strengthened P7M10 delivers ballistics approaching that of a .45 ACP pistol.

P7 pistols are available with corrosion resistant nickel plating or standard blued finishes. The P7M10 carries eleven rounds, 10 rounds in the magazine plus one round in the chamber. The P7M8 and P7M13 carry nine and fourteen rounds respectively, 8 rounds (P7M8) or 13 rounds (P7M13) in the magazine plus one round in the chamber.

SECTION II

FUNCTION AND OPERATION OF THE WEAPON

1. ACTION

HK P7M8, P7M13, & P7M10 pistols are recoil operated pistols. However, Upon ignition of the cartridge a portion of the propellant gas flows through the gas port into the gas cylinder.

In the gas cylinder, the propellant gas acts upon the piston which retards the rearward motion of the slide until the bullet has left the barrel. Once the bullet has left the barrel the decrease in gas pressure on the piston allows the slide to move rearward, ejecting the empty cartridge case. The recoil spring then moves the slide forward chambering the next round.

Advantages of this weapon design:

Stationary barrel, compact dimensions, uncomplicated components, no locking mechanism, reduced felt recoil.

WARNING: DO NOT USE REMANUFACTURED AMMUNITION OR RELOADED AMMUNITION. NEVER USE AMMUNITION WITH LEAD BULLETS, WHICH CAN CAUSE EXCESS FOULING OF THE GAS SYSTEM CAUSING MALFUNCTIONS. USE ONLY JACKETED FACTORY MANUFACTURED AMMUNITION. P7M8/M13, & P7M10 PISTOLS SAFELY FUNCTION WITH ALL FACTORY BRANDS OF JACKETED HOLLOW POINT AMMUNITION.

2. COCKING LEVER

All Heckler & Koch P7 pistols use a unique safety system which differs from those normally found in other single or double action pistols. The system design eliminates the need for a separate manually operated safety. When the shooter grips the pistol with sufficient pressure to activate the cocking lever he simultaneously and automatically cocks the pistol.

Now the weapon is ready to be fired via the trigger in single action mode. The single action mode of firing is not only faster, but also more accurate. Once the pistol is cocked, it is only necessary to maintain a force of approx. 1.5 pounds on the cocking lever to keep the system ready to fire. Should the cocking lever be released, the pistol will be automatically uncocked, rendering it safe. As long as the cocking lever is depressed, the trigger operates in single action mode. This provides for a conveniently short pull and a moderate force required to operate the trigger. For Law Enforcement use a double action trigger is inconvenient because of the change in pull and force between double and single action. However, a very light sporty trigger is equally inconvenient for Law Enforcement as it would increase the risk of accidental shooting.

Should the shooter inadvertently drop the weapon, it will automatically and completely uncock itself. In addition the drop safety will be engaged preventing the firing pin from hitting the primer. This design eliminates the need for a firing pin system actuated by a hammer. It also eliminates the need for an additional external safety device.

As a third function, the cocking lever releases the slide catch when the slide is locked to the rear. Moderate pressure on the cocking lever is all that is needed to close the slide. This action will simultaneously chamber a round, if a loaded magazine has been inserted.

Thus the three functions of the cocking lever are:

- a) to cock the pistol
- b) to act as a safety device
- c) to release the slide

The design also makes all P7 pistols truly ambidextrous.

ALL HK P7 PISTOLS CAN BE FIRED IN THREE DIFFERENT WAYS:

- a. Depressing the cocking lever and then pulling the trigger (preferred method) — single action
- b. Pulling the trigger and then depressing the cocking lever — double action.
- c. The cocking lever is depressed and the trigger is pulled simultaneously.

Due to these features, the P7M8/M13/M10 should function under normal conditions even if the shooter does not carry out all operations in the correct sequence. Also, the pistol can be fired with the magazine removed.

3. GRIP

The pistol grip is angled 110 degrees first relative to the barrel, which is the same angle the index finger forms to the fist when pointing. This angle allows better target acquisition and facilitates instinctive shooting. Despite the 110 degree angle, the magazine is almost perpendicular to the barrel, providing optimum feed of cartridges from the magazine to the chamber.

This design makes the pistol less susceptible to malfunctions, regardless of the type of ammunition used — hollow point (HP), full metal case or soft nose bullets.

4. MAGAZINE

The P7M8 uses a single column magazine which holds a total of eight rounds. The magazine has numbered holes on the sides allowing visual counting of the cartridges.

P7M13 & M10's use a double row magazine that tapers to a single row so that the cartridges are fed from the center of the magazine. This magazine has two slots on the left side indicating the number of rounds loaded.

Both magazines are designed to provide maximum reliability and durability.

WARNING: DO NOT ATTEMPT TO LOAD MORE THAN THE PREDESCRIBED NUMBER OF ROUNDS INTO THESE MAGAZINES. DO NOT ALTER THE SHAPE OF THE MAGAZINE HOUSING OR THE FOLLOWER. DO NOT LENGTHEN OR ALTER MAGAZINE SPRING. TO DO SO MAY CAUSE MALFUNCTION OF THE SYSTEM OR THE MAGAZINE MAY NOT SEAT OR FEED PROPERLY.

The slide catch lever is employed for keeping the action open without a magazine being inserted. ▼



5. SLIDE CATCH LEVER

The P7M8, P7M13, & P7M10 incorporate a slide catch lever located on the left side of the frame behind the trigger. This lever is integrated into a recess of the frame that it does not interfere with the shooter, regardless of whether he/she is right or left-handed.

To lock the slide to the rear, press the slide catch lever rearward with either the forefinger or thumb of the shooting hand while pulling the slide rearward until it locks.

Ensure that the muzzle of the pistol is pointed in a safe direction at all times and that the finger is kept out of the trigger guard.

The slide catch lever can be disengaged by either depressing the cocking lever, or by pulling the slide slightly farther to the rear and releasing it.

Pull back side;

Press in projecting slide catch lever in direction of arrow:

▼ Either

▼ Or



6. MAGAZINE RELEASE

P7M8, P7M13, & P7M10 magazine release levers are located on both sides of the frame just to the rear of the trigger guard. They can be used with equal ease by both left and right handed shooters by pressing the levers downwards with either the thumb or index finger of the shooting hand.

▼ Press magazine catch down



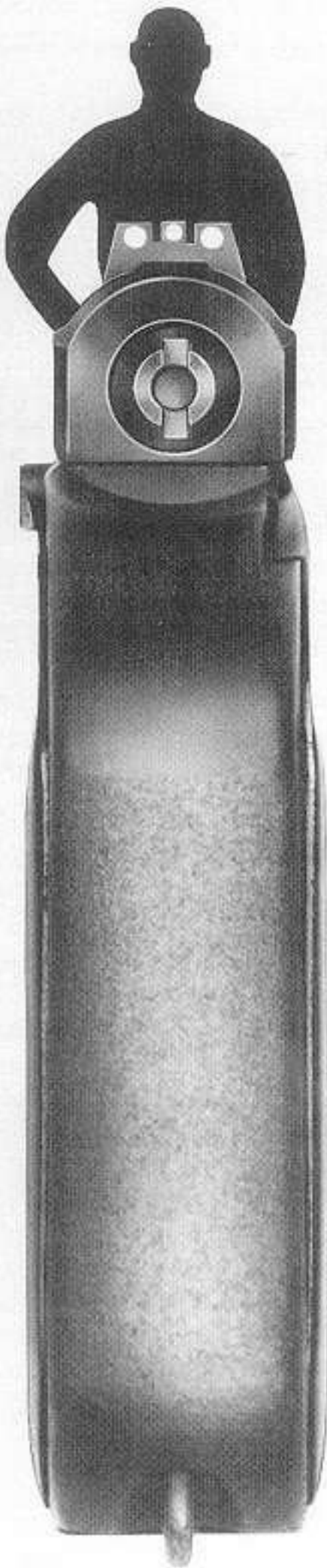
7. SIGHTS

The sighting system on the P7M8/M13/M10 is a three dot sighting system. By aligning all three dots horizontally on the target, the shooter has an extremely quick target acquisition under most lighting conditions.*

The rear sight can be adjusted for windage by loosening the set screw, moving the sight to the right or left, depending on the desired shot placement, and retightening of the set screw.

Adjustment for elevation is accomplished by interchangeable front sights with different heights. To do so, the front sight pin must be removed. The height of the front sight is indicated on the underside.

P7M8/M13/M10 pistols are designed for single handed ambidextrous operation.



SECTION III
AMMUNITION

AMMUNITION WARNING NOTICE: HECKLER & KOCH, GmbH, SPECIFICALLY DISCLAIMS ANY RESPONSIBILITY FOR ANY DAMAGE OR INJURY THAT SHOULD OCCUR BECAUSE OF, OR AS A RESULT OF, THE USE OF FAULTY, REMANUFACTURED, OR RELOADED AMMUNITION (HAND LOADED), OR OF CARTRIDGES OTHER THAN THOSE FOR WHICH THESE PISTOLS WERE ORIGINALLY CHAMBERED IN THE P7M8 AND P7M13 9MM x 19, ALSO KNOWN AS 9MM LUGER OR 9MM PARABELLUM FOR PISTOLS.

The Heckler & Koch P7M8, P7M13, and P7M10 pistols are designed to fire quality, factory loaded JACKETED ammunition including jacketed hollow point ammunition, having a bullet weight of at least 100 grains.

WARNING: THE USE OF LEAD BULLETS WILL CAUSE MALFUNCTIONS DUE TO EXCESS FOULING OF THE GAS SYSTEM.

CAUTION: THERE IS AN INFLUX OF SURPLUS 9MM x 19 AMMUNITION ON THE AMERICAN MARKET. DO NOT USE 9MM x 19 AMMUNITION SPECIFICALLY LOADED FOR SUBMACHINE GUNS.

The following guide lines should be considered when selecting the correct ammunition for your pistol:

1. Be sure the ammunition you have chosen is compatible with your weapon — proper caliber, bullet weight.
2. Prior to loading the magazine and chamber, carefully inspect all cartridges for the following abnormalities:
 - a) Cracked or split cases
 - b) Improperly seated bullets and primers
 - c) Damaged bullets

IMPROPERLY LOADED AMMUNITION CAN CAUSE DAMAGE TO THE PISTOL AND/OR INJURY TO THE SHOOTER OR BYSTANDERS.

3. Do not attempt to fire a round in which the projectile has been forced back into the case. This condition, upon firing, may result in increased chamber pressure above safe limits.

SECTION IV

LOADING AND HANDLING OF THE P7M8, P7M13, & P7M10

1. LOADING MAGAZINE

Hold the magazine in one hand with the thumb sitting on top of the lips. With the other hand place a round on the follower in front of the lips and press down and to the rear. For easier loading place the thumb of the hand holding the magazine on the rim of the cartridge and apply pressure on the cartridge while pushing the cartridge into the magazine. To insert subsequent rounds, press down on the cartridge already in the magazine with your thumb and repeat the process.

2. LOADING OF THE PISTOL

CAUTION: DO NOT PLACE YOUR FINGER ON THE TRIGGER UNTIL YOU ARE READY TO FIRE.

2.1 Loading with the slide forward:

Place the loaded magazine completely into the magazine well and insure that the magazine catch engages properly.

Always have the muzzle of the pistol pointed in a safe direction, keeping the finger off the trigger. Pull the slide all the way to the rear and release it to load the chamber.

2.2 Loading with slide locked to rear:

a) Insert a loaded magazine fully into the magazine well and depress the cocking lever to chamber a cartridge.
or

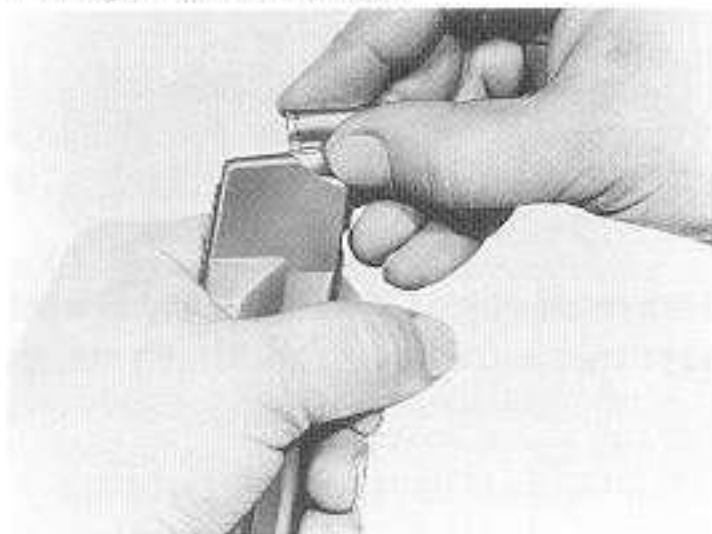
b) Insert a loaded magazine fully into the magazine well and pull the slide slightly further to the rear and let the slide snap forward. To chamber silently lead the slide forward.

c) Release the cocking lever to make the pistol 'safe.'

CAUTION: WHEN LOADING THE PISTOL WITH THE SLIDE LOCKED TO THE REAR, BE SURE THAT YOUR FINGER IS NOT ON THE TRIGGER. DEPRESSING THE COCKING LEVER TO RELEASE THE SLIDE ALSO COCKS THE FIRING PIN.

To fully load your pistol, remove the magazine and insert one more cartridge into it. Place the magazine back into the pistol completely to insure catch engagement. Your P7 M8, P7M13, or P7M10 is now loaded to capacity—9 rounds in the P7M8, 14 in the P7M13, & 11 rounds in the P7M10.

Filling the magazine ▼



▼ Pull back slide



3. FIRING THE P7M8, P7M13, & P7M10 PISTOLS

To fire the loaded pistol, depress the cocking lever, which will cock the firing pin. Align the sights onto the target and pull the trigger, releasing the cocked firing pin. Keep the cocking lever depressed for all subsequent shots.

NOTE: ONCE THE WEAPON HAS BEEN COCKED, USING THE COCKING LEVER, THE SHOOTER CAN RELAX THE GRIP AND HOLD THE PISTOL WITH ONLY THE FORCE REQUIRED TO HOLD A CONVENTIONAL PISTOL.

To render the pistol immediately uncocked, release the cocking lever.

CAUTION: DO NOT PLACE YOUR FINGER ON THE TRIGGER UNTIL YOU ARE READY TO FIRE.

4. RELOADING WHEN THE MAGAZINE IS EMPTY

After the last round has been fired the slide will remain open. To continue firing, simply exchange the empty magazine for a full one. Depress the cocking lever chambering a new round. The pistol now is ready to fire again.

CAUTION: DO NOT PLACE YOUR FINGER ON THE TRIGGER UNTIL YOU ARE READY TO FIRE.

5. UNLOADING THE P7 PISTOL

The following steps should be taken when unloading your pistol:

- Keep the muzzle in a safe direction and finger off the trigger.
- Remove the magazine by pressing one of the magazine release levers downwards.
- Pull the slide to the rear, which will eject any chambered round.
- Lock the slide to the rear by means of the slide catch lever.
- Inspect the chamber to insure the pistol is cleared.
- Store pistol in a safe place, away from children. (It is not necessary to store the pistol with the slide in rearward position.)

▼ Cocking lever depressed



SECTION V

FIELD STRIPPING OF THE P7M8, P7M13, & P7M10 FOR CLEANING & REASSEMBLY

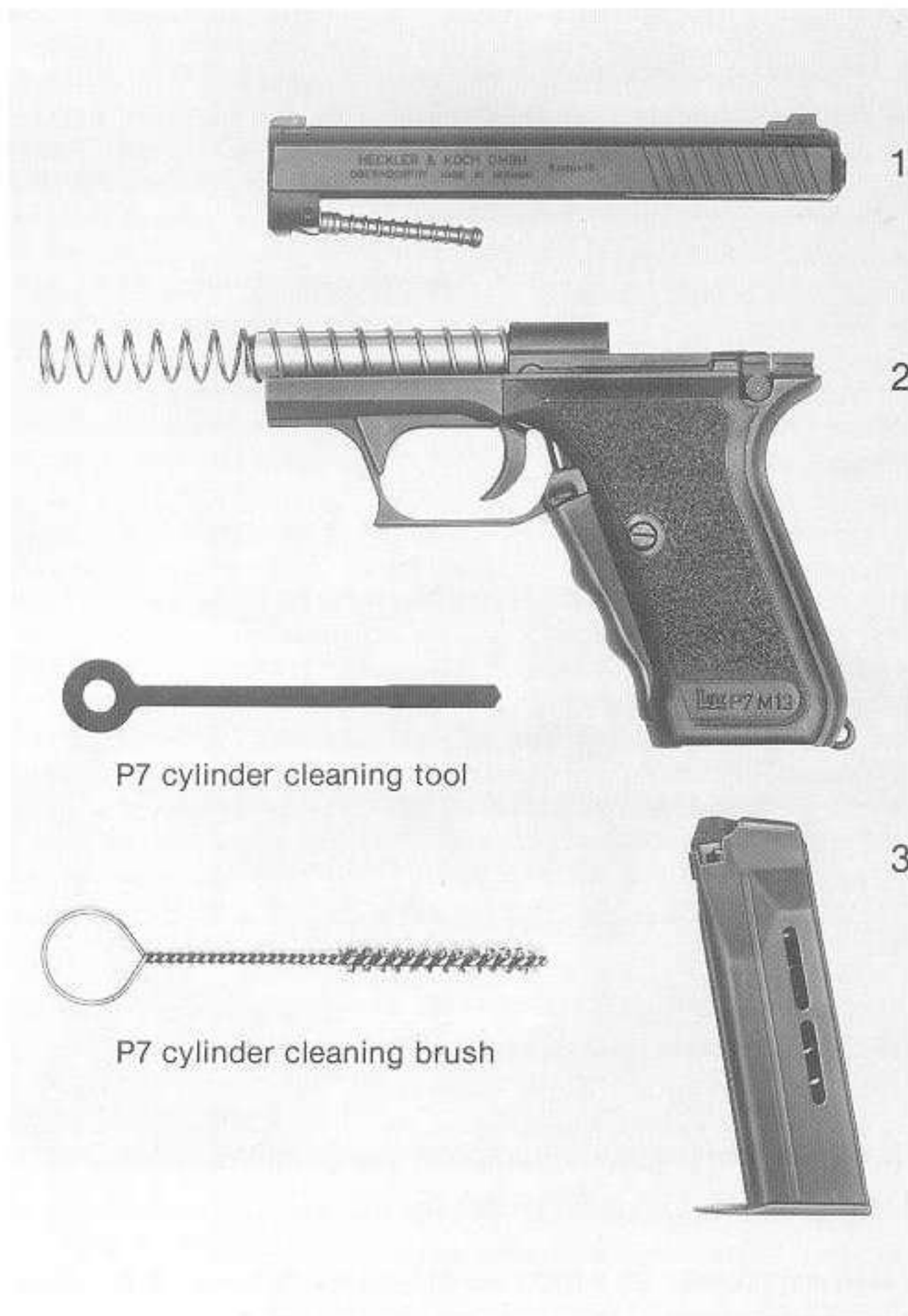
- A. For field stripping the following steps should be carried out:
1. Keep muzzle pointed in a safe direction and finger off the trigger.
 2. Remove magazine.
 3. Pull slide to the rear and lock the slide in rearward position.
 4. Inspect chamber to insure pistol is clear.
 5. Let slide snap forward.
 6. Press slide retaining button located on the rear left side of the receiver while pulling the slide approximately $\frac{3}{4}$ " to the rear and lift up.
 7. Remove slide toward the muzzle.
 8. Remove recoil spring.

▼ Press slide retainer
and pull back slide



Assemblies

- 1 Slide
- 2 Receiver
- 3 Magazine



B. REASSEMBLING THE P7M8, P7M13, OR P7M10

1. Mount recoil spring onto the barrel.
2. Place slide in a slightly angled position over the receiver making sure that the gas piston is aligned with the gas cylinder.
3. Slowly pull slide fully rearward over the barrel against the force of the recoil spring.
4. Press slide down and let it move forward while still applying slight pressure on the slide.
5. Manually operate the slide to ensure proper function.

NOTE: DIFFICULTY IN REASSEMBLY CAN USUALLY BE ATTRIBUTED TO MISALIGNMENT OF THE PISTON AND CYLINDER OR BINDING OF THE RECOIL SPRING IN THE FORWARD PORTION OF THE SLIDE.

▼ Place slide on receiver



Push firing pin bushing
▼ forward and rotate



C. REMOVAL AND INSTALLATION OF THE FIRING PIN ASSEMBLY AND BUSHING

CAUTION: BEFORE REMOVAL OF THE FIRING PIN ASSEMBLY AND BUSHING, REMOVE MAGAZINE AND INSURE THAT YOUR WEAPON IS UNLOADED.

1. REMOVAL OF FIRING PIN ASSEMBLY AND BUSHING

- a. Depress cocking lever until the end of the firing pin is flush with the slot in the firing pin bushing.
- b. Push firing pin bushing with your thumb or a suitable coin all the way forward and rotate 90 degrees clockwise (to the right).
- c. Depress cocking lever fully and remove firing pin bushing together with firing pin assembly.

NOTE: THE FIRING PIN BUSHING CAN ONLY BE REMOVED WHEN THE SLIDE IS MOUNTED ON THE RECEIVER. DO NOT USE EXCESSIVE FORCE TO TURN BUSHING.

2. INSTALLATION OF FIRING PIN ASSEMBLY AND BUSHING.

CAUTION: FURTHER DISASSEMBLY OF THE FIRING PIN IS NOT RECOMMENDED, HOWEVER IF FOR ANY REASON THE FIRING PIN ASSEMBLY IS FURTHER DISASSEMBLED, CARE MUST BE TAKEN THAT THE FIRING PIN COLLAR PIN IS CORRECTLY SEATED IN THE SLOTS OF THE FIRING PIN COLLAR. IMPROPER ASSEMBLY MAY CAUSE MALFUNCTION.

(See Figure 16 A and 16 B)

- a . Insert firing pin assembly and bushing into the slide end until the chamfer of the firing pin bushing is even with the slide end.
- b . Rotate firing pin bushing 90 degrees counterclockwise (to the left) until it engages and its slot is in a vertical position.



◀ Figure 16 A
Wrong Collar Pin
Seating

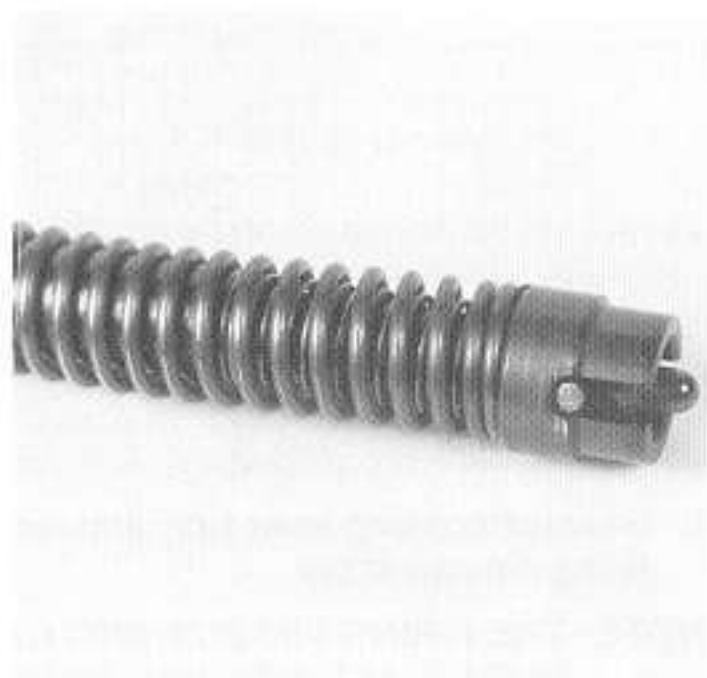


Figure 16 B ▶
Correct Collar Pin
Seating

SECTION VI

CLEANING AND MAINTENANCE

The service life and performance of your pistol depend upon correct handling and proper care.

A. After every shooting, the following procedure is recommended for cleaning.

1. Field strip the pistol
2. Remove visible dirt, moisture and propellant residues.
3. Clean barrel thoroughly using a brass or nylon brush
4. Bright parts must be wiped clean
5. To clean the slide, no hard tools must be used. It is recommended to use an oil soaked cloth or a soft bristle brush. Otherwise the drop safety catch spring could be disengaged and the function of the drop safety could consequently be impaired.
6. To clean the gas piston use only a soft oil soaked cloth or patch.

NOTE: DO NOT USE HARD INSTRUMENTS, BRUSHES OR STEEL WOOL, ETC. FOR CLEANING OF THE GAS PISTON. DISCOLORATION AND SMALL AMOUNTS OF RESIDUES ARE NORMAL AND WILL NOT EFFECT THE FUNCTION OF THE PISTOL. THEREFORE THEY NEED NOT BE REMOVED.

7. Oil the pistol parts lightly after cleaning including the bore.

NOTE: CHECK DROP SAFETY CATCH AND SPRING VISUALLY FOR ENGAGEMENT (See Figure 17)

8. Reassemble the pistol.

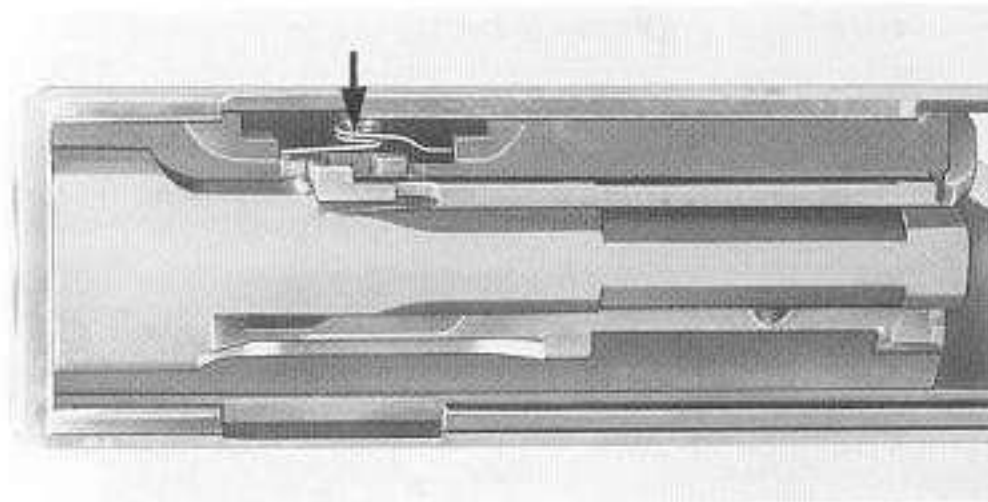


Fig. 17

B. After firing approx. 500 rounds, depending on the type of ammunition used, or once every 12 months, whichever happens first, the following cleaning procedure is recommended:

1. Field strip the pistol including the firing pin assembly and bushing.
2. Remove grip plates by first unscrewing and removing the grip screws. Then lift forwardmost end of the grip plates away from the frame and slide forward.

NOTE: DO NOT USE TOOLS OR EXCESSIVE FORCE TO LIFT GRIP PLATES.

3. Remove all dirt, moisture and carbon on all parts exposed. To do so it is recommended to use a solvent or gun oil and a soft brush.
4. To clean the bottom of the gas cylinder use the P7-cleaning tool.
 - 4.1 Insert cleaning tool in the gas cylinder
 - 4.2 Turn the P7-cleaning tool in a clockwise direction until you reach the bottom of the cylinder.
 - 4.3 Remove the P7-cleaning tool and turn muzzle downwards so that the removed residues can fall out.
 - 4.4 Repeat step 4.1 through 4.3.

CAUTION: DO NOT USE REAMER, DRILL BITS OR OTHER HARD TOOLS TO CLEAN GAS CYLINDER. THIS MIGHT DAMAGE THE GAS CYLINDER CAUSING MALFUNCTION OF THE PISTOL.

▼ P7 and P7 cylinder cleaning tool





▲ P7 cylinder cleaning tool inserted in the gas cylinder

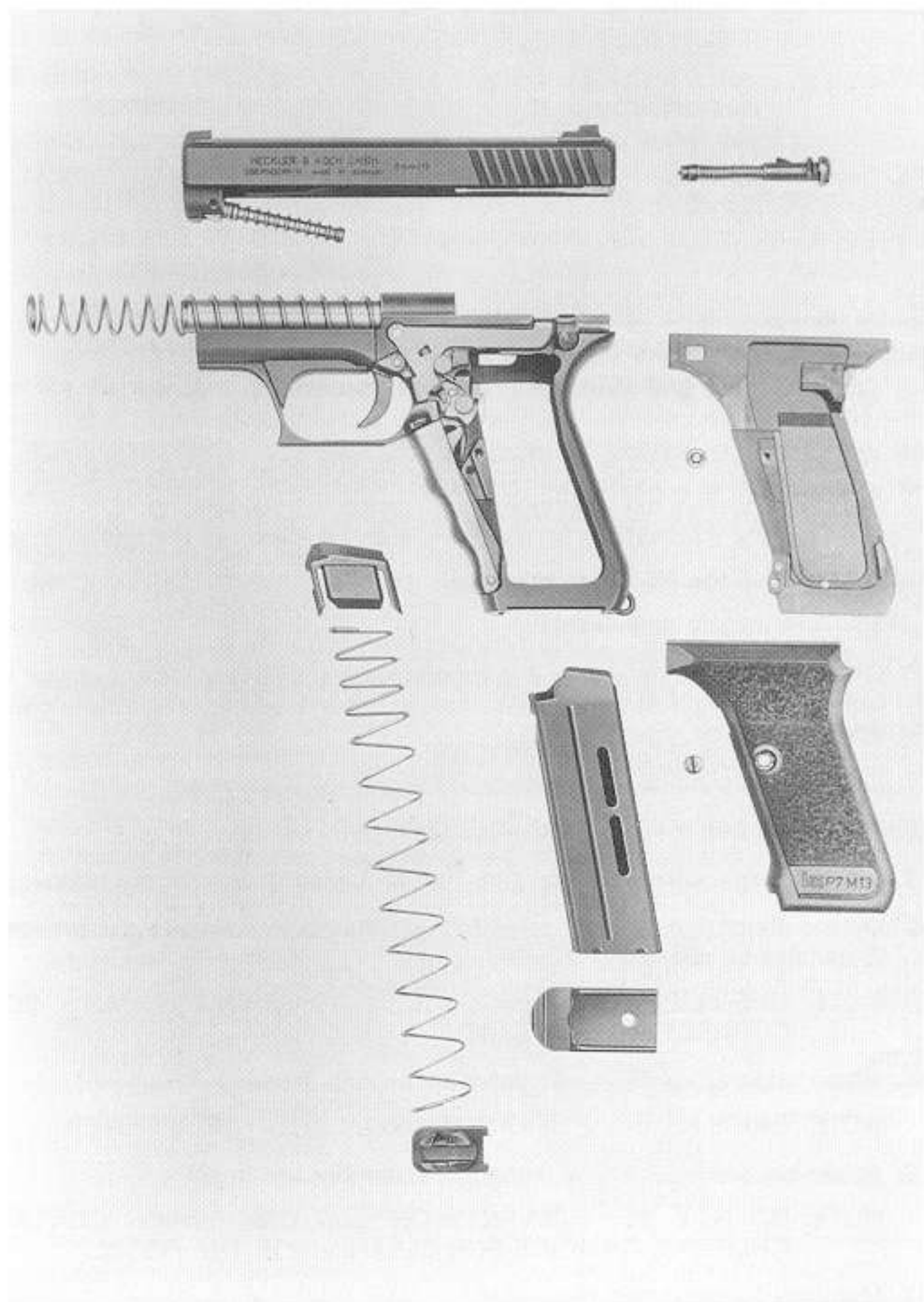
5. To clean the cylinder wall, use the P7 cleaning brush with a small amount of solvent or gun oil.
 - 5.1 Turn the P7-cleaning brush into the entire length of the gas cylinder.
 - 5.2 Remove the P7-cleaning brush.
 - 5.3 Turn muzzle downwards.
6. Clean the slide thoroughly. It is recommended to use a solvent or gun oil together with a soft cloth and/or brush. Otherwise the drop safety catch spring could be disengaged.
7. Clean firing pin assembly and bushing using a soft brush.
8. The gas piston may be cleaned as prescribed before.
9. When using a solvent, make sure that all traces of solvent are removed.
10. Oil the pistol parts lightly after cleaning including bore and gas cylinder. Excessive oil should be wiped off.

NOTE: CHECK DROP SAFETY CATCH AND SPRING VISUALLY FOR CORRECT ENGAGEMENT.
11. Install grips on receiver and tighten with grip screws.

NOTE: GRIPS HAVE TO SNAP POSITIVELY INTO THE RECEIVER
12. Assemble pistol including firing pin assembly and bushing.

NOTE: DO NOT USE SOLVENTS OR GUN OILS WHICH CONTAIN CHLORINE OR ACIDS FOR CLEANING OF THE PISTOL.
13. Manually function test the pistol.

P7M13 Stripped for main cleaning



C. Stripping, cleaning, & reassembly of the P7M8/M13/M10 magazine

1. Press magazine locking plate down through the hole of the magazine floor plate and push magazine floor plate forward with your thumb.

CAUTION: THE NOW EXPOSED MAGAZINE LOCKING PLATE IS UNDER SPRING TENSION. THEREFORE RELEASE THE MAGAZINE LOCKING PLATE SLOWLY.

2. Remove magazine spring with magazine locking plate and follower. Do not separate magazine locking plate from magazine spring.
3. Clean magazine components thoroughly and oil lightly.
4. Insert follower in the right position in the magazine housing.
5. Place magazine spring together with magazine locking plate in the magazine housing. Make sure the magazine spring end is mounted correctly in the slot of the magazine locking plate.
6. Press magazine spring down into the magazine housing until the magazine locking plate is flush with the bottom of the magazine housing.
7. Slide magazine floor plate over the bottom of the magazine housing. Ensure that magazine floor plate is properly engaged.

NOTE: VISUALLY CHECK IF THE SPRING END UNDERNEATH THE FOLLOWER IS IN A HORIZONTAL POSITION.

This pistol has been developed by capable and experienced engineers. Its present design represents an optimization of a combination of safety to carry, speed of deployment, accuracy, dependability and longevity. Do not attempt to make the pistol "better" by altering any of its components or functions. Altering any part of the pistol will also void Heckler & Koch's limited life time warranty.

Avoid gun oils which dry out, leaving a resinous sticky film on the gun which may impair its proper functions.



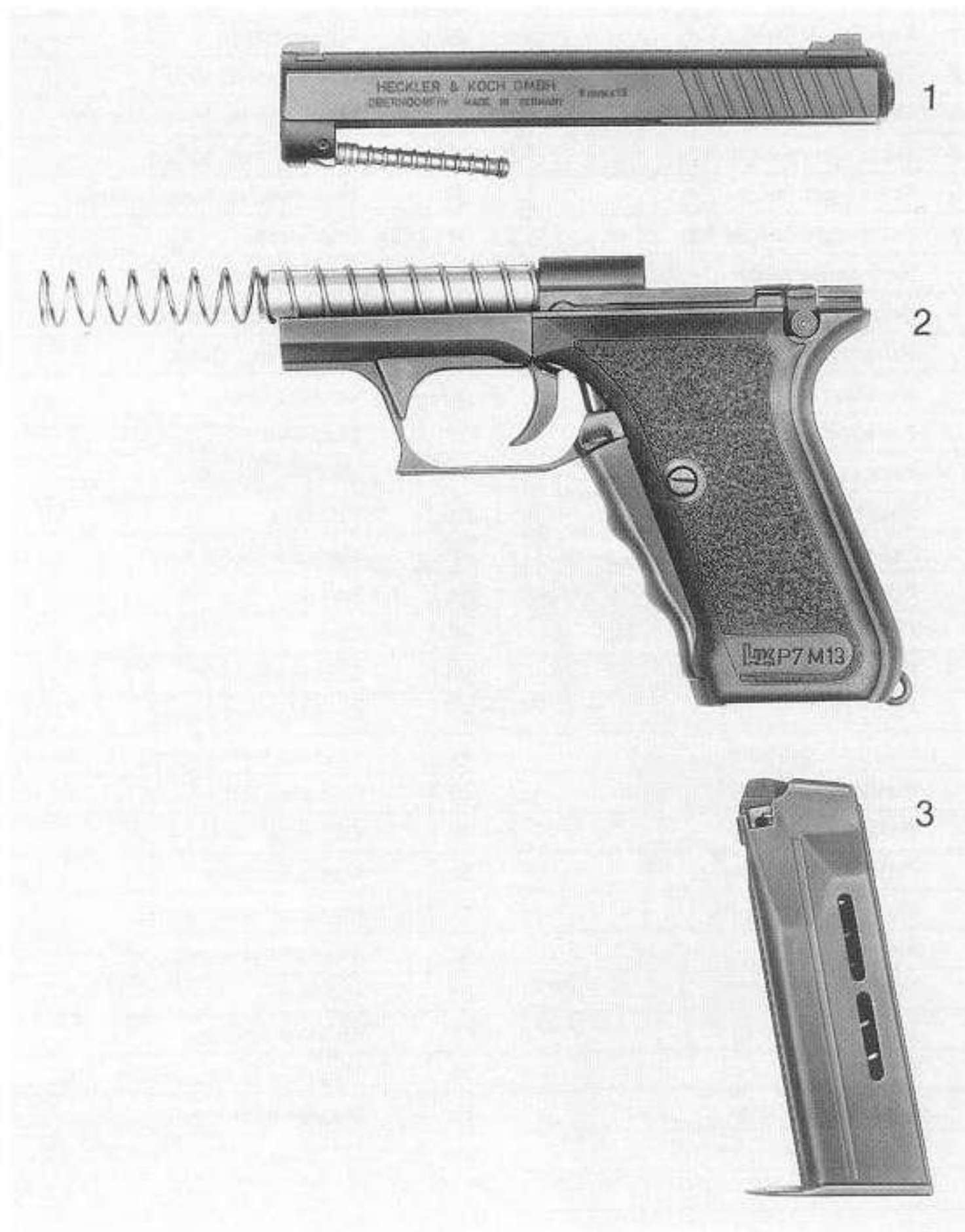
Sectional view

Specifications

	P7M8	P7M13	P7M10
Caliber	9mm x 19	9mm x 19	.40 S&W
Operating Principle	Recoil Operated	Recoil Operated	Recoil Operated
Action	Retarded inertia bolt	Retarded inertia bolt	Retarded inertia bolt
Sights	Adjustable Rear	Adjustable Rear	Adjustable Rear
Magazine Capacity	8 rounds	13 rounds	10 Rounds
Weight without magazine	1.75 lb. (.80 kg)	1.87 lb. (.85 kg)	2.69 lb. (1.22 kg)
Weight with magazine loaded	2.10 lb. (.96 kg)	2.50 lb. (1.13 kg)	3.39 lb. (1.54 kg)
Overall Length	6.73 in (171 mm)	6.90 in. (175 mm)	6.90 in. (175 mm)
Barrel Length	4.13 in. (105 mm)	4.13 in. (105 mm)	4.13 in. (105 mm)
Sight Radius	5.83 in. (148 mm)	5.83 in. (148 mm)	5.83 in. (148 mm)
Height of Pistol	5.04 in. (129 mm)	5.30 in. (135 mm)	5.68 in. (145 mm)
Width of Pistol	1.14 in. (29 mm)	1.30 in. (33 mm)	1.30 in. (33mm)

Assemblies

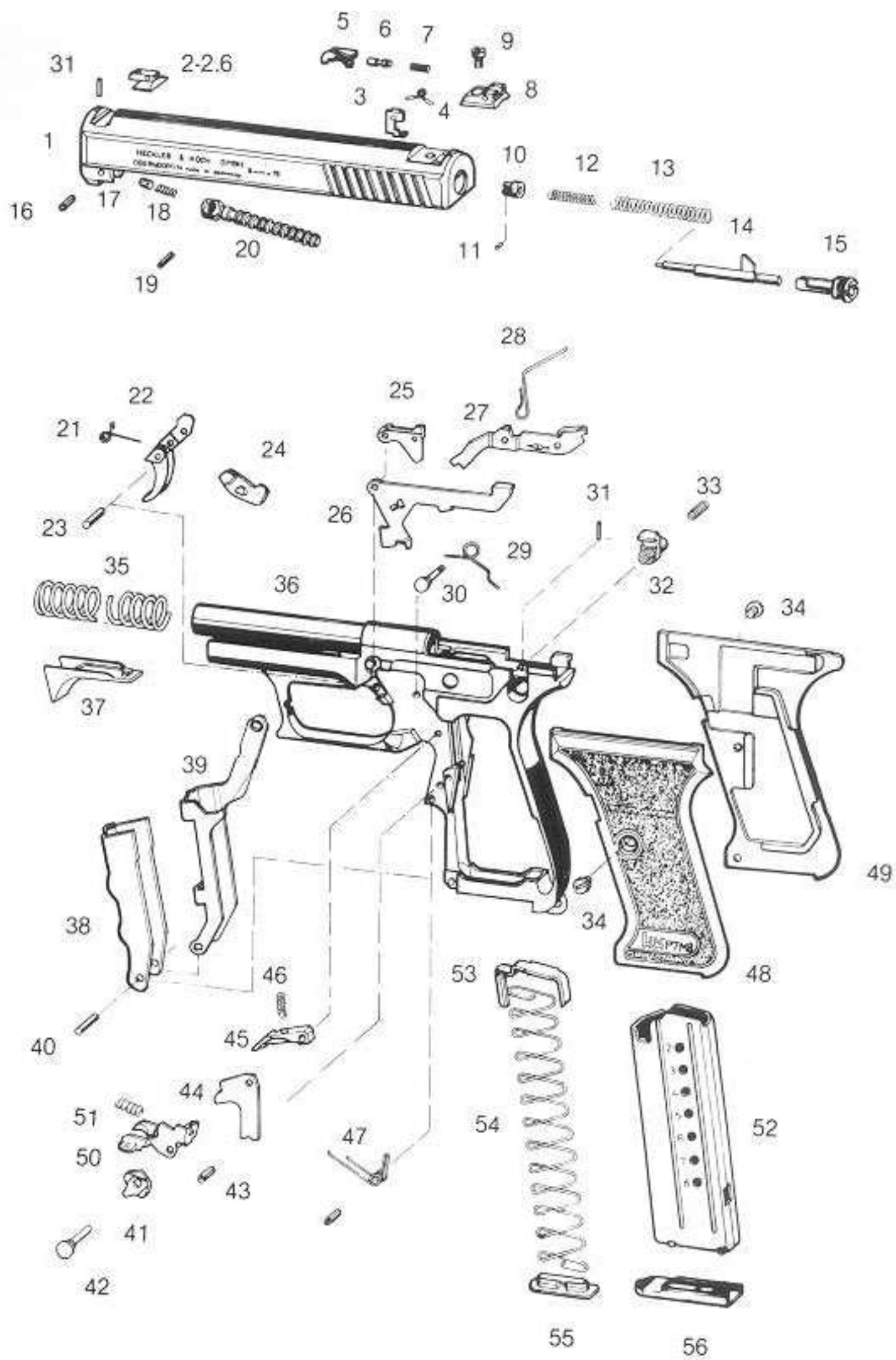
- 1 Slide
- 2 Receiver
- 3 Magazine



P7M8 Pistol

Item	Designation
1	Slide
2	Front sight (height 6.4)
2.1	Front sight (height 6.6)
2.2	Front sight (height 6.8)
2.3	Front sight (height 7.0)
2.4	Front sight (height 7.2)
2.5	Front sight (height 7.4)
2.6	Front sight (height 7.6)
3	Drop safety catch
4	Drop safety catch spring
5	Extractor
6	Extractor plunger
7	Extractor spring
8	Rear sight
9	Rear sight screw
10	Firing pin collar
11	Firing pin collar pin
12	Firing pin return spring
13	Firing pin spring
14	Firing pin
15	Firing pin bushing
16	Piston roll pin
17	Piston plunger
18	Piston plunger spring
19	Plunger retaining roll pin
20	Piston
21	Trigger spring
22	Trigger
23	Trigger pin
24	Transmission lever
25	Disconnecter
26	Slide stop

Item	Designation
27	Sear lever
28	Sear spring
29	Rocker spring
30	Rocker spring axle
31	2 × Front sight/slide retainer pin
32	Slide removal button
33	Slide removal button spring
34	2 × Grip screw
35	Recoil spring
36	Receiver with barrel
37	Trigger heat shield
38	Cocking lever
39	Drag lever
40	Cocking lever axle
41	Rocker
42	Magazine catch axle
43	2 × Roll pin
44	Stop
45	Cocking latch
46	Cocking latch spring
47	Cocking lever spring
48	Grip-shell left
49	Grip-shell right
50	Magazine catch
51	Magazine catch spring
52	Magazine housing
53	Follower
54	Follower spring
55	Magazine locking plate
56	Magazine floor plate



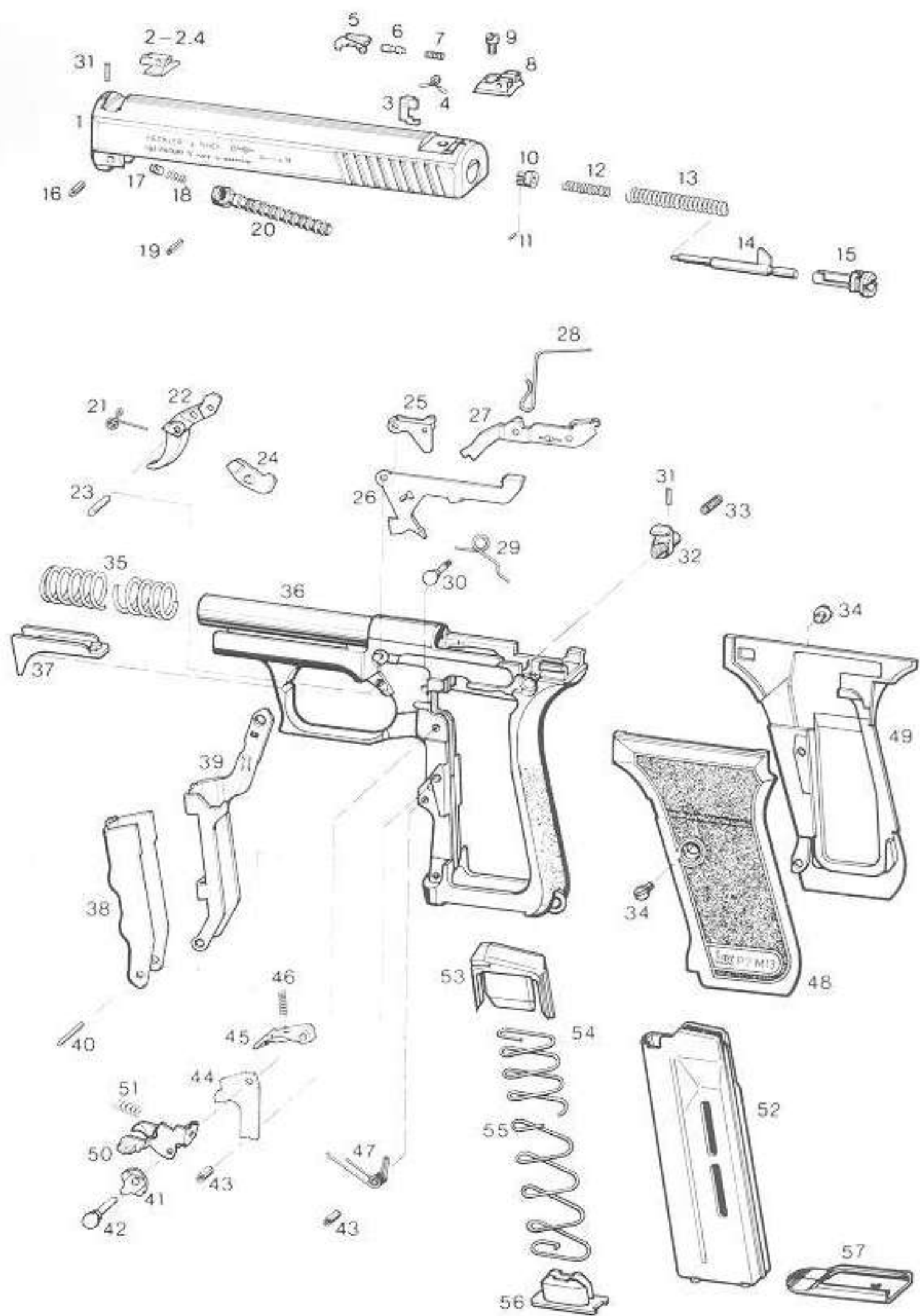
P7M13/P7M10* Pistol

Item	Designation
1	Slide
2	Front sight (height 6.4)
2.1	Front sight (height 6.6)
2.2	Front sight (height 6.8)
2.3	Front sight (height 7.0)
2.4	Front sight (height 7.2)
2.5	Front sight (height 7.4)
2.6	Front sight (height 7.6)
3	Drop safety catch
4	Drop safety catch spring
5	Extractor
6	Extractor plunger
7	Extractor spring
8	Rear sight
9	Rear sight screw
10	Firing pin collar
11	Firing pin collar pin
12	Firing pin return spring
13	Firing pin spring
14	Firing pin
15	Firing pin bushing
16	Piston roll pin
17	Piston plunger
18	Piston plunger spring
19	Plunger retaining roll pin
20	Piston
21	Trigger spring
22	Trigger
23	Trigger pin
24	Transmission lever
25	Disconnecter
26	Slide Stop

Item	Designation
27	Sear lever
28	Sear spring
29	Rocker spring
30	Rocker spring axle
31	2 × Front sight/slide retainer pin
32	Slide removal button
33	Slide removal button spring
34	2 × Grip screw
35	Recoil spring
36	Receiver with barrel
37	Trigger heat shield
38	Cocking lever
39	Drag lever
40	Cocking lever axle
41	Rocker
42	Magazine catch axle
43	2 × Roll pin
44	Stop
45	Cocking latch
46	Cocking latch spring
47	Cocking lever spring
48	Grip-shell left
49	Grip-shell right
50	Magazine catch
51	Magazine catch spring
52	Magazine housing
53	Follower
54	Follower insert
55	Follower spring
56	Locking plate
57	Magazine floor plate

Parts can be obtained from any HK Authorized Dealer.

* Diagram depicts P7M13. Except for slide dimensions the P7M10 appears similar





Technologically advanced firearms
for defense, law enforcement, and
sporting use.

HECKLER & KOCH, INC.

21480 Pacific Boulevard
Sterling, Virginia 20166-8903 USA
TEL. (703) 450-1900
TELEFAX (703) 450-8160

© HK USA EDITION, 10/93